

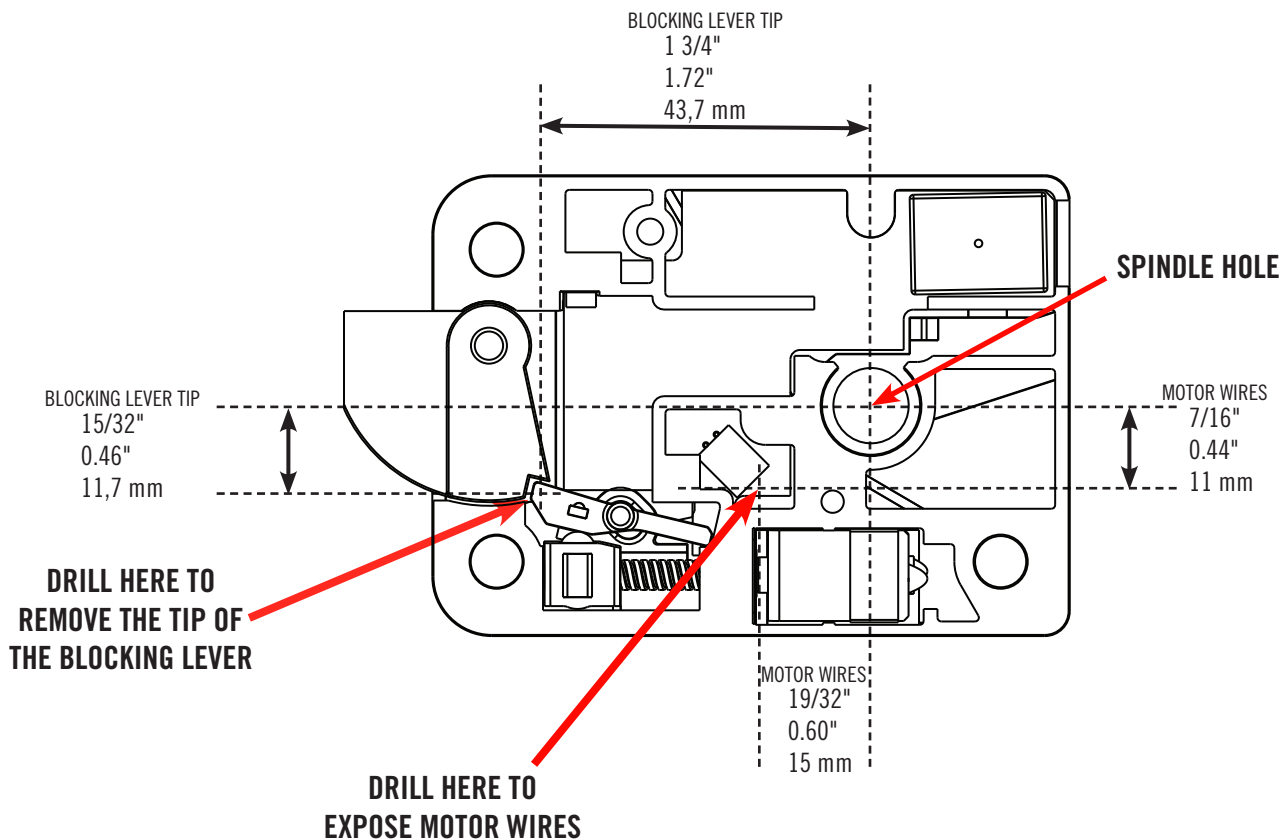
S&G Titan PivotBolt and D-Drive Drilling Information

This is an x-ray view of the lock through the front of the safe door. Drill points for the PivotBolt and D-Drive versions are the same. The illustration below is of a right-hand mounted lock. You will have to make adjustments in the placement of your measurements for locks mounted differently.

The tip of the blocking lever is one designated drilling target. It needs to be drilled completely through so that it will no longer block the lock bolt.

The motor wires present another drilling target. Once the lock case is penetrated in the designated area, one black and one red motor wire will be exposed. Do not penetrate the lock case any deeper than necessary to expose the wires. Use spiking tools or insulated electrical probes to supply 9 volts DC, positive to the black wire and negative to the red wire. The lock motor will very quickly activate to make the lock openable.

For either target, a well placed 1/4 inch hole should be adequate. All measurements are from the center of the safe's spindle hole, and it is assumed the lock is mounted directly behind the spindle hole, in the same place as a mechanical lock would be mounted. For a PivotBolt model, once the lock is openable, you only need to turn the safe's boltwork handle to open. For a D-Drive model, you will need to rotate the lock spindle clockwise to stop (almost 90 degrees) before turning the safe's handle.



Note: Fractional measurements are, by their nature, generally less precise than decimal and metric measurements. The fractional measurements listed here are sufficiently accurate for marking and drilling 1/4 inch (.250 inch / 6 mm) diameter holes to reach the indicated target areas.